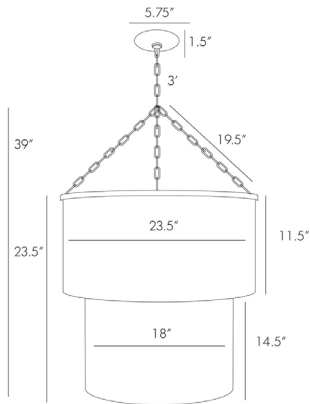


ARTERIOS

JAMES CHANDELIER



86782
H: 39 IN, Dia: 23.50 IN
Antique Nickel
Contract Suitable As Is

This two tier, nine light chandelier is made of hundreds of antique nickel chains that beg to be touched. The movement of the chains is like fabric, and the effect in a room is more than dramatic. Finish may vary, and chains will continue to antique. Additional chain available (CHN-998).

APPEARANCE

Material Brass
Finish Antique Nickel
Top Coat/Sealant false

DIMENSIONS

Chandelier H: 23.5 IN, Dia: 23.50 IN
Minimum Hanging Height 39 IN
Maximum Hanging Height 75 IN
Canopy H: 1.5 IN, Dia: 5.75 IN

WIRING

Rating Indoor Only
Cord 10 FT, Clear/Silver, SVT
Socket 9, Type B=-E12 Other
Maximum Watt 40
Voltage 110-120 V

CERTIFICATIONS

Cerifications Mexico
United States, Canada

COMPLIANCY

UL/ETL Yes
RoHS true

SHIPPING

Product Weight 35 LBS
Gross Weight 1 52.5 LBS
Shipping Box 1 H: 29 IN, L: 37 IN, W: 11 IN

ADDITIONAL INFO

Features Assembly Required

REPLACEMENT PARTS

Replacement Part 1 CHN-998
Replacement Part 1 Dim 3'

CONTRACT

Contract Suitable true